

Harvest the Sunshine

DEEP BLUE 3.0 Pro

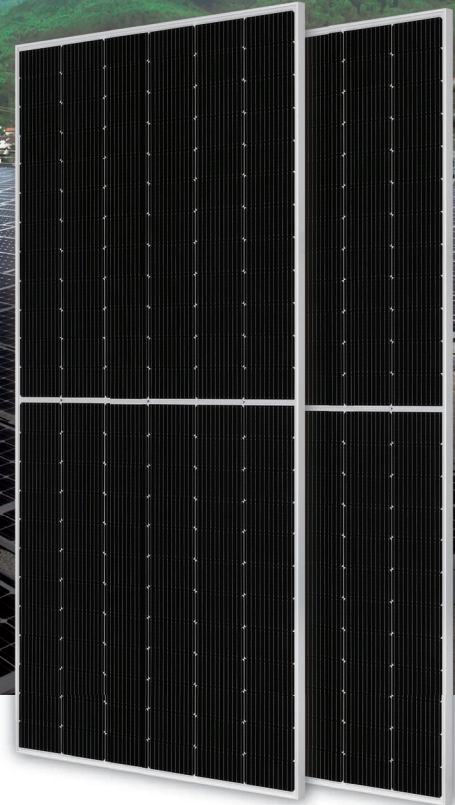
Mono

565W MBB Bifacial Mono PERC Half-cell Double Glass Module

JAM72D30 540-565/GB/1500V Series

Introduction

Assembled with 11BB bifacial PERCUM cells and gapless ribbon connection technology, these double glass modules have the capability of converting the incident light from the rear side together with the front side into electricity, providing higher output power, lower temperature coefficient, less shading loss, as well as enhanced tolerance for mechanical loading.



Higher output power



More reliable, more stable power generation



Less shading effect

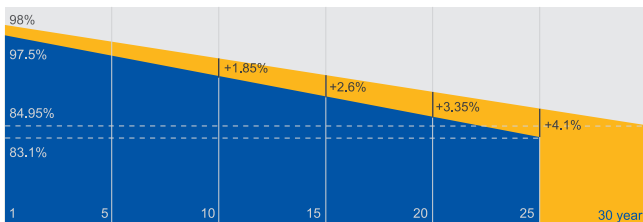


Lower temperature coefficient

Superior Warranty

- 12-year product warranty
- 30-year linear power output warranty

0.45% Annual Degradation Over 30 years



■ Bifacial double glass module linear power warranty

■ Standard module linear power warranty

Comprehensive Certificates

- IEC 61215, IEC 61730
- ISO 9001: 2015 Quality management systems
- ISO 14001: 2015 Environmental management systems
- ISO 45001: 2018 Occupational health and safety management systems



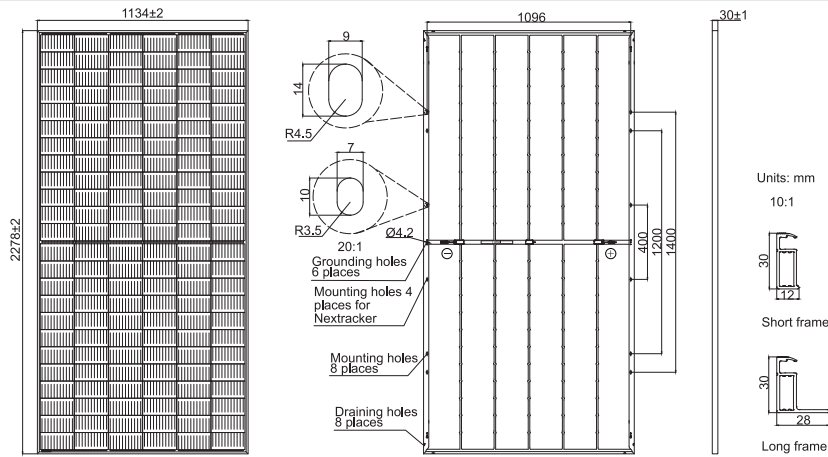
JA SOLAR

www.jasolar.com

Specifications subject to technical changes and tests.
JA Solar reserves the right of final interpretation.
Shanghai JA Solar Technology Co., Ltd.



MECHANICAL DIAGRAMS



Remark: customized frame color and cable length available upon request

SPECIFICATIONS

Cell	Mono
Weight	31.8kg
Dimensions	2278±2mm×1134±2mm×30±1mm
Cable Cross Section Size	4mm ² (IEC), 12 AWG(UL)
No. of cells	144(6×24)
Junction Box	IP68, 3 diodes
Connector	Stäubli MC4-EVO2A/MC4-EVO2 QC Solar QC 4.10-351
Cable Length (Including Connector)	Portrait:200mm(+)/300mm(-); Landscape:1300mm(+)/1300mm(-)
Front Glass/Back Glass	2.0mm/2.0mm
Country of Manufacturer	China/Vietnam

ELECTRICAL PARAMETERS AT STC

TYPE	JAM72D30 -540/GB/1500V	JAM72D30 -545/GB/1500V	JAM72D30 -550/GB/1500V	JAM72D30 -555/GB/1500V	JAM72D30 -560/GB/1500V	JAM72D30 -565/GB/1500V
Rated Maximum Power(Pmax) [W]	540	545	550	555	560	565
Open Circuit Voltage(Voc) [V]	49.60	49.75	49.90	50.02	50.15	50.28
Maximum Power Voltage(Vmp) [V]	41.64	41.80	41.96	42.11	42.27	42.42
Short Circuit Current(Isc) [A]	13.86	13.93	14.00	14.07	14.14	14.21
Maximum Power Current(Imp) [A]	12.97	13.04	13.11	13.18	13.25	13.32
Module Efficiency [%]	20.9	21.1	21.3	21.5	21.7	21.9
Power Tolerance	0~+5W					
Temperature Coefficient of Isc(α _{Isc})	+0.045%/°C					
Temperature Coefficient of Voc(β _{Voc})	-0.275%/°C					
Temperature Coefficient of Pmax(γ _{Pmp})	-0.350%/°C					
STC	Irradiance 1000W/m ² , cell temperature 25°C, AM1.5G					

Remark: Electrical data in this catalog do not refer to a single module and they are not part of the offer.They only serve for comparison among different module types.
Measurement tolerance at STC: Pmax ±3%, Voc ±3% and Isc ±4%.

ELECTRICAL CHARACTERISTICS WITH 10% SOLAR IRRADIATION RATIO

TYPE	JAM72D30 -540/GB/1500V	JAM72D30 -545/GB/1500V	JAM72D30 -550/GB/1500V	JAM72D30 -555/GB/1500V	JAM72D30 -560/GB/1500V	JAM72D30 -565/GB/1500V
Rated Max Power(Pmax) [W]	578	583	589	594	599	605
Open Circuit Voltage(Voc) [V]	49.93	50.03	50.21	50.31	50.45	50.55
Max Power Voltage(Vmp) [V]	41.65	41.78	41.95	42.11	42.26	42.42
Short Circuit Current(Isc) [A]	14.83	14.91	14.98	15.05	15.13	15.20
Max Power Current(Imp) [A]	13.88	13.95	14.03	14.10	14.18	14.25
Irradiation Ratio(rear/front)	10%					

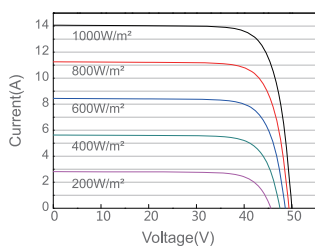
OPERATING CONDITIONS

Maximum System Voltage	1500V DC
Operating Temperature	-40°C~+85°C
Maximum Series Fuse Rating	30A
Maximum Static Load,Front*	3600Pa, 1.5
Maximum Static Load,Back*	1600Pa, 1.5
NOCT	45±2°C
Bifaciality**	70%±10%
Fire Safety Class	Class C

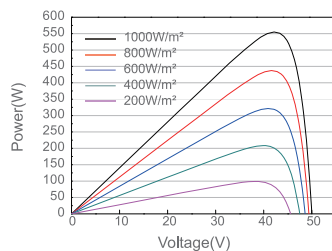
*For NextTracker Installations. Maximum Static Load Please Take Compatibility Approve Letter Between JA Solar And NextTracker For Reference
**Bifaciality=Pmax,rear/Rated Pmax,front

CHARACTERISTICS

Current-Voltage Curve JAM72D30-555/GB/1500V



Power-Voltage Curve JAM72D30-555/GB/1500V



Current-Voltage Curve JAM72D30-555/GB/1500V

